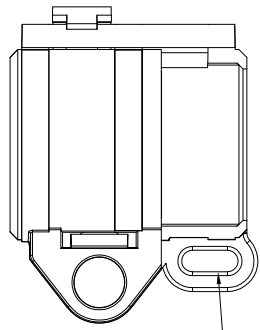


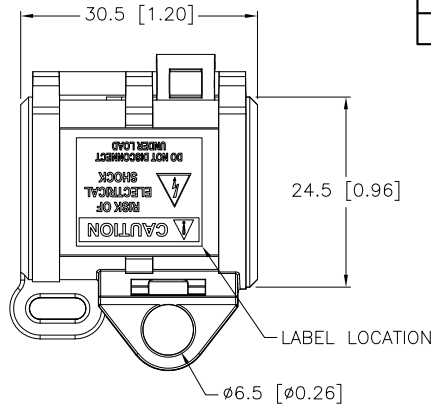
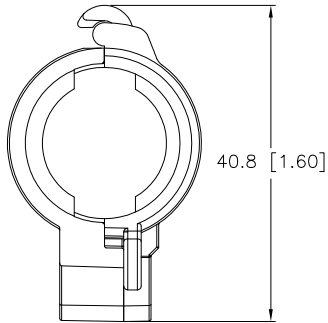
SPECIFICATIONS

HOUSING MATERIAL/COLOR

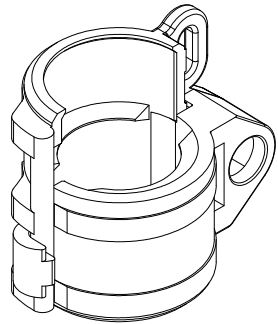
NYLON 66/YELLOW



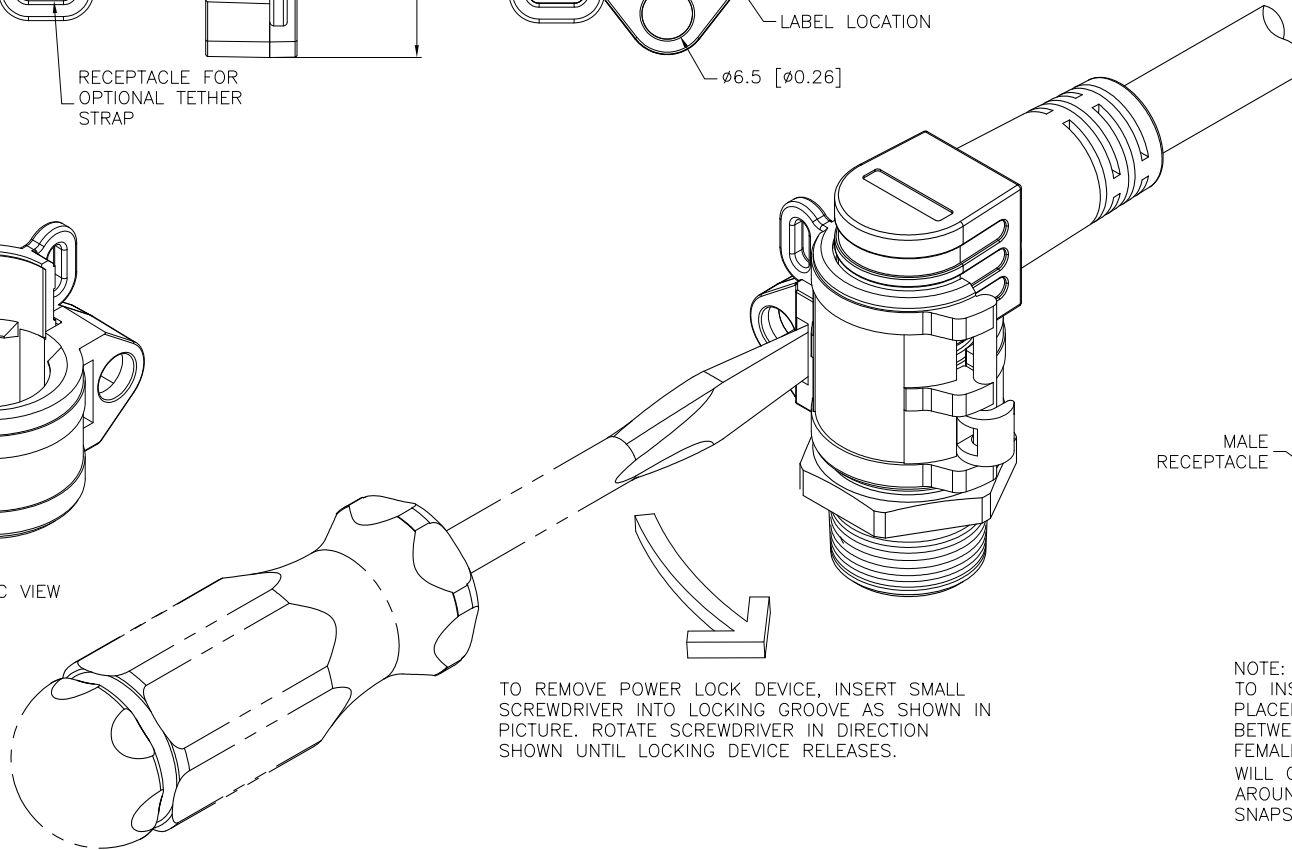
RECEPTACLE FOR
OPTIONAL TETHER
STRAP



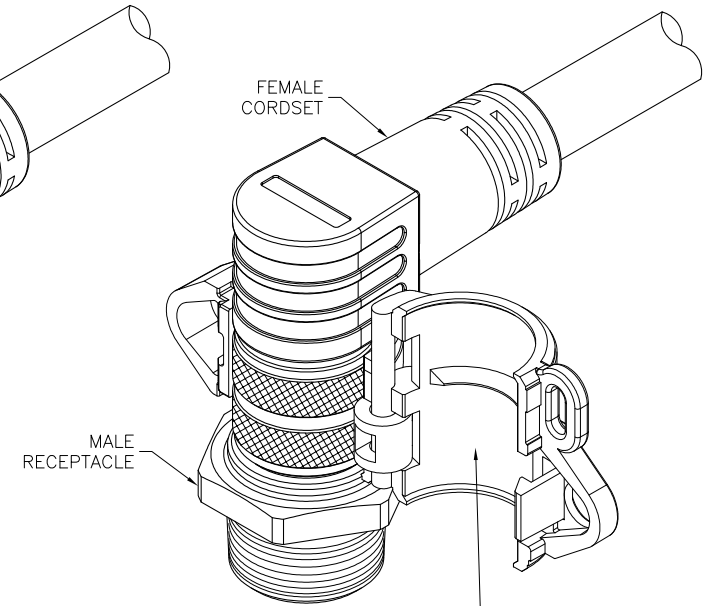
LABEL LOCATION



ISOMETRIC VIEW



TO REMOVE POWER LOCK DEVICE, INSERT SMALL
SCREWDRIVER INTO LOCKING GROOVE AS SHOWN IN
PICTURE. ROTATE SCREWDRIVER IN DIRECTION
SHOWN UNTIL LOCKING DEVICE RELEASES.



NOTE:
TO INSTALL POWER LOCK DEVICE, THE DEVICE MUST BE
PLACED IN THE CORRECT ORIENTATION. PLACE LARGE SPACE
BETWEEN RIB AND END OF POWER LOCK HOUSING ON THE
FEMALE COUPLING NUT. PART OF THE POWER LOCK DEVICE
WILL OVERLAP THE CORDSET'S OVERMOLD. FINALLY, PLACE
AROUND CORDSET END AND CLOSE UNTIL POWER LOCK
SNAPS CLOSED.

SOURCE DRAWING - FOR REFERENCE ONLY

RELATED DOCUMENTS		3RD ANGLE PROJECTION		THIS DRAWING IS PROPERTY OF TURCK INC. USE OF THIS DOCUMENT WITHOUT WRITTEN PERMISSION IS PROHIBITED.		3000 CAMPUS DRIVE MINNEAPOLIS, MN 55441 1-800-544-7769 (763) 553-7300 (763) 553-0708 fax turck.com	
1. 2. 3. 4.				DRFT RWC		DATE 11/23/10	
MATERIAL		ALL DIMENSIONS DISPLAYED ON THIS DRAWING ARE FOR REFERENCE ONLY		DSGN		SCALE 1=1.0	
SEE SPECIFICATIONS		CONTACT TURCK FOR MORE INFORMATION		UNIT OF MEASUREMENT		DESCRIPTION	
FINISH		MILLIMETER [INCH]		IDENTIFICATION NO.		REV	
SEE SPECIFICATIONS		DO NOT SCALE THIS DRAWING		A9665		A	
A DRAWING RELEASE		RWC 12/21/10		FILE: A9665		SHEET 1 OF 1	
REV DESCRIPTION		BY DATE ECO NO.					